

헬스먼 커넥터- HT

특징

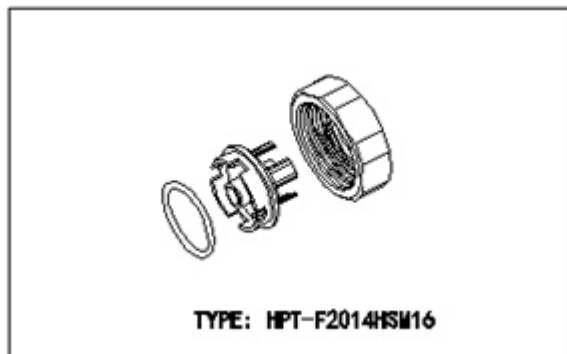
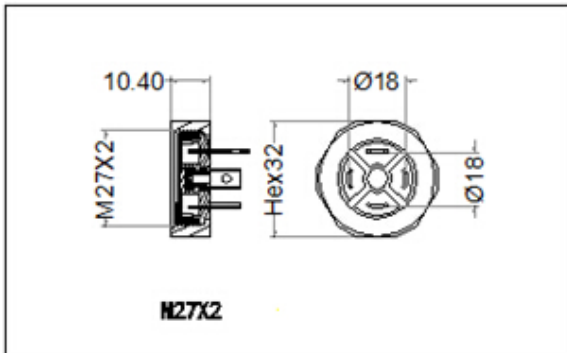
- DIN 43650 표준에 기반한 새로운 디자인
- 유럽 품질 요구에 만족
- 경쟁력 있는 가격
- 적합한 내장회로 선택 가능
- 나사의 방진 디자인

응용

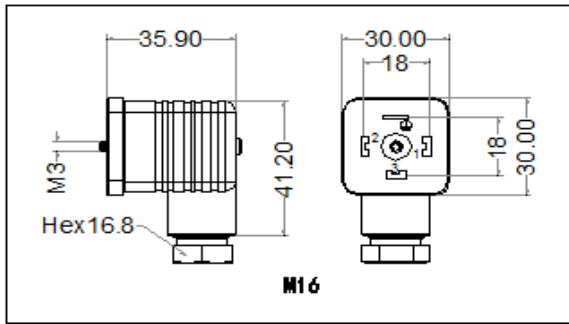
- 산업용 압력 트랜스미터



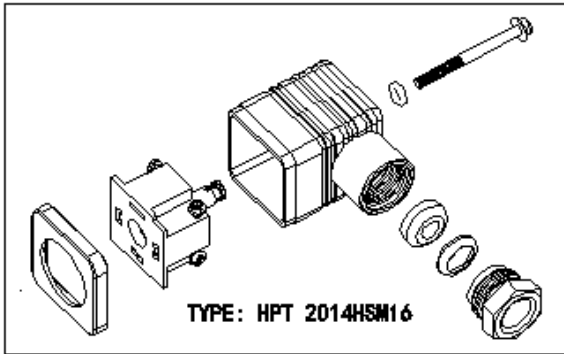
스펙



Product description	
Type	HPT316M16/BLACK
Number of contacts	3+PE
Cable gland	M16
Standard	DIN EN 175 301-803-A
Technical data	
Rated voltage	UC250V
Rated current	16A
Contact resistance	< = 4mOhm
Type of termination	solder
Mounting	Screw
Environmental conditions	
Protection class	IP65 (gasket necessary)
Pollution severity	3
Temperature range	-40 °C ~ 125°C
Inflammability class	
Contact beare	94HB
Packing unit	
Packing unit	200 pieces

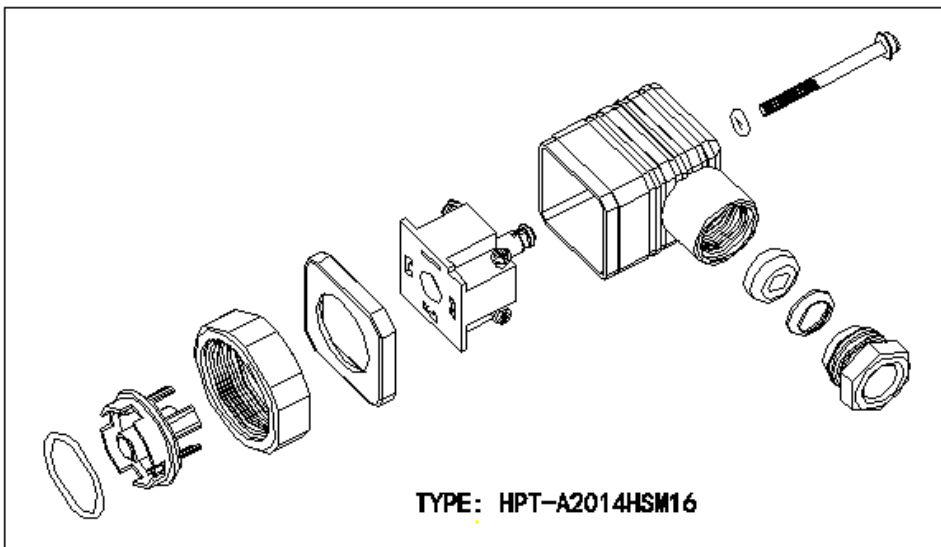


Product description	
Type	HPT3016/BLACK
Number of contacts	3+PE
Cable gland	M16
Conductor size	Max. 1.5 mm ²
Standard	DIN EN 175 301-803-a
Housing color	Black



Technical data	
Pin dimensions	6.3mm*0.8mm
	4.8mm*0.8mm
Rated voltage	UC250V
Rated current	16A
Contact resistance	< = 4mOhm
Type of termination	Screw
Suitable cables	4.5 mm to 10 mm diameter
Mounting	Central nut
Environmental conditions	
Protection class (IEC 60529)	IP 65 (gasket necessary)
Pollution severity	3
Temperature range	-40 °C ~ 125 °C
Packing unit	
Packing unit	200 pieces

3D 부품 도면





Wotian 은 사전 통보없이 본 출판물을 변경할 권리가 있습니다. 제공된 정보는 정확하고 신뢰할 수 있습니다.

연락 정보

Nanjing Wotian Technology Co.,Ltd.

Website: www.wtsensor.com

Add: 5 Wenyong Road, Binjiang Development Zone, Nanjing, 211161, China

E-mail: dr@wtsensor.com