

PCM3201 Glass Micro-fused Pressure Transmitter



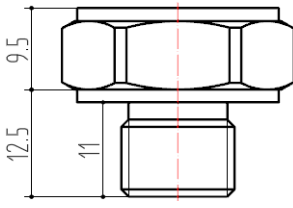
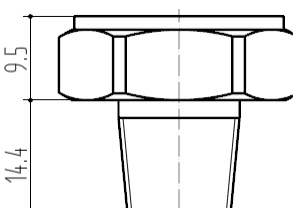
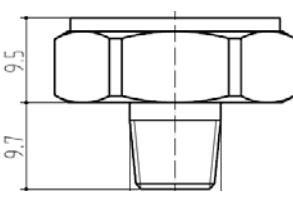
- Glass micro-fused technology
- Perfect long term stability
- MEMS technology
- CE certificate
- Compact size

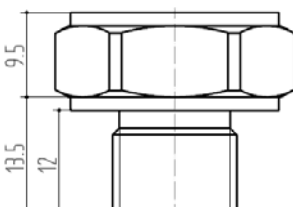
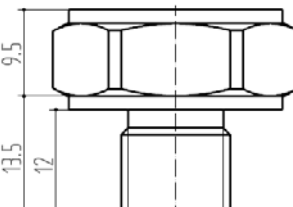
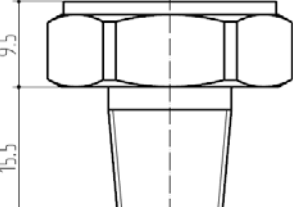
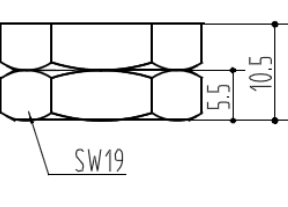
PCM3201 glass micro-fused Pressure Transmitter is a standard and most economic transmitter applied in air and liquid pressure measuring.

Pressure	
Nominal Range	500kPa, 600kPa, 1MPa, 1.6MPa, 2.5MPa, 4MPa, 6MPa, 10MPa, 16MPa, 25MPa, 40MPa, 60Mpa (bar and psi unit available)
Pressure Reference	Gauge pressure Sealed gauge pressure
Overpressure	300%F.S.(≤70kPa) 200%F.S.(≤25MPa)
Output Signal	
Output	4 to 20mA 0.5 to 4.5V 1 to 5V 0 to 5V
Performance	
Accuracy (including linearity, hysteresis and repeatability)	±0.5%F.S. (Typical)
Excitation	24VDC 12VDC 5VDC
Compensated Temp.	-10-70°C(typical) -20-85°C(available)
Operating Temp.	-40-125°C
Storage Temp.	-40-125°C
Zero Temp. Coefficient	±1.5%F.S. max. (-10-70°C)
Span Temp. Coefficient	±1.5%F.S. max. (-10-70°C)
Pressure port	see last page "how to order"
Housing material	17-4PH
Protection	IP65
Weight	95g(approx)

Round Packard		M12x1P		Cable outlet		Mini 4 pin	
<p>In mm</p>		<p>In mm</p>		<p>In mm</p>		<p>In mm</p>	
C1		C2		C3		C4	
Current (2 wire)	Voltage (3 wire)	Current (2 wire)	Voltage (3 wire)	Current (2 wire)	Voltage (3 wire)	Current (2 wire)	Voltage (3 wire)
Pin 1 +Excitation Pin 2 +Output Pin 3 Pending	Pin 1 +Excitation Pin 2 -Excitation Pin 3 +Output	Pin 1 +Excitation Pin 2 +Output Pin 3 Pending Pin 4 Pending	Pin1 +Excitation Pin 2 +Output Pin 3 -Excitation Pin 4 Pending	Red: +Excitation Green: +Output	Red +Excitation Green -Excitation Yellow +Output	Pin1 +Excitation Pin 2 +Output Pin 3 Pending	Pin 1 +Excitation Pin 2 -Excitation Pin 3 +Output

Pressure port

Thread	G1/4	1/4-18NPT	1/8-27NPT
Dimension in mm Hex 24mm			
Code	P1	P2	P3

Thread	M14x1.5	M12x1.5	1/4-19PT	7/16-20UNF(female)
Dimension in mm Hex 24mm				
Code	P4	P5	P6	P7

PCM3201 XX-XX-XX-XX-XX-XX

Pressure range

Please write directly

Pressure reference

A: absolute pressure

S: sealed gauge pressure

Excitation

E1: 5V DC

E2: 24V DC

E3: 12V DC

Output signal

S1: 4 to 20mA

S2: 0.5 to 4.5V

S3: 1 to 5V

S4: 0 to 5V

Pressure connection

P1: G1/4 P5: M12x1.5

P2: 1/4-18NPT P6: 1/4-19PT

P3: 1/8-27NPT P7: 7/16-20UNF (female)

P4: M14x1.5 P8: others (please specify)

Electrical connection

C1: Round packard

C2: M12x1P

C3: Cable outlet (please write the cable length)

C4: Mini 4 pin

Wotian reserves the right to make changes to any product in this publication without notice. The information we supply is believed to be accurate and reliable as of this printing.



Contact us

Nanjing Wotian Technology Co.,Ltd.

Website: www.wtsensor.com

Add: 5 Wenyang Road, Binjiang Development Zone, Nanjing, 211162, China

Sales Manager: AN YINJI

Email: anyinji@wtsensor.com